

CUTTING
WELDING

SINCE 1898



Spare Parts Favorit II

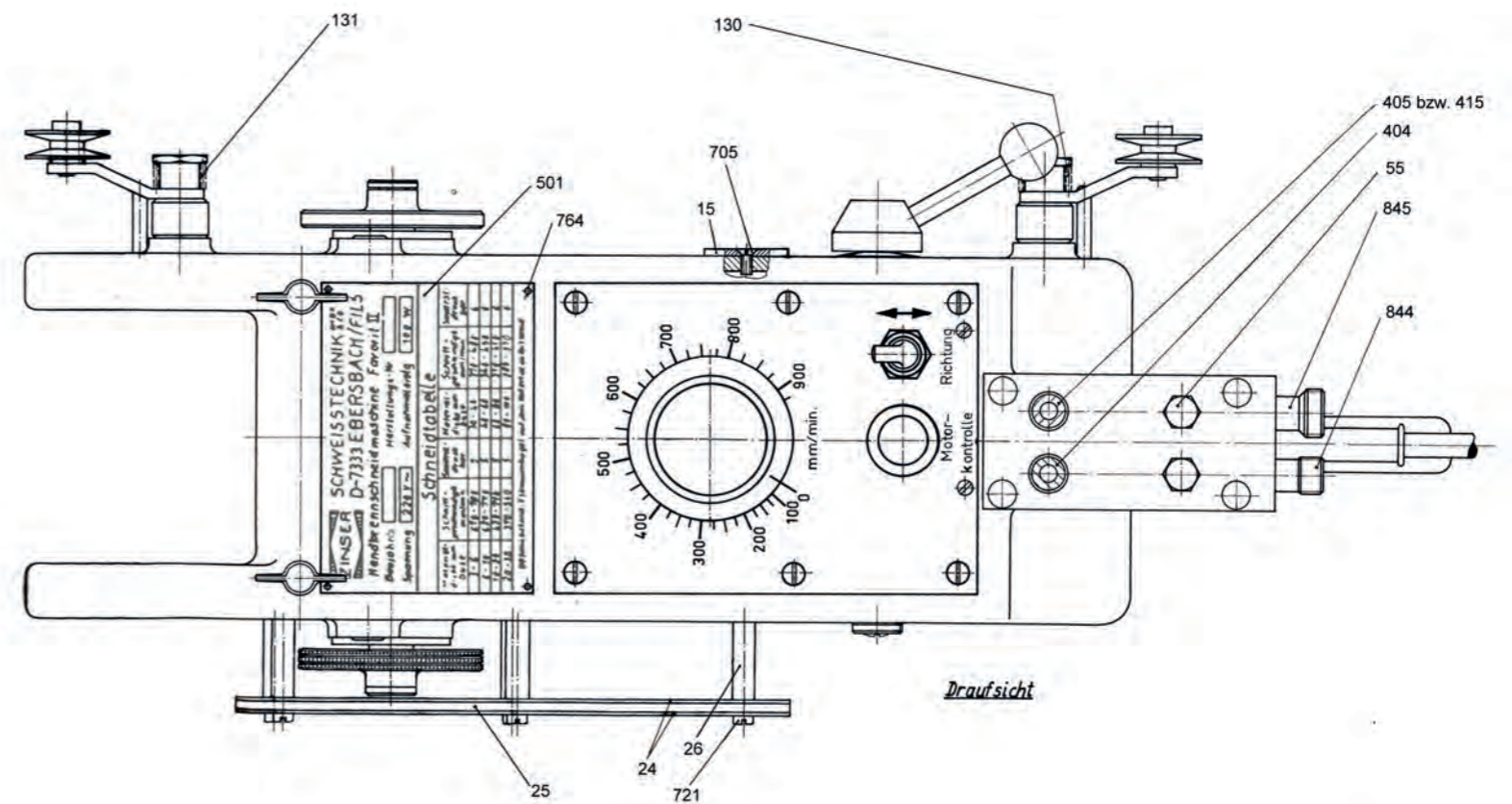
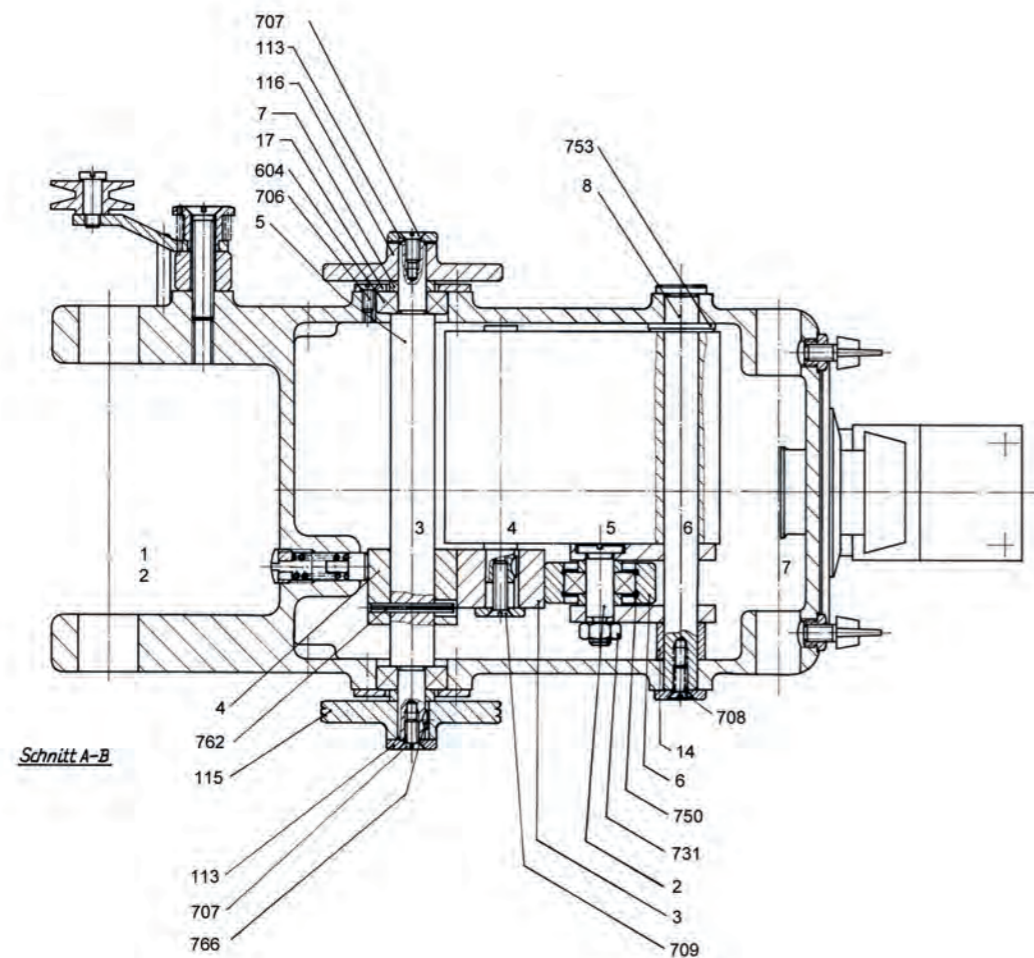
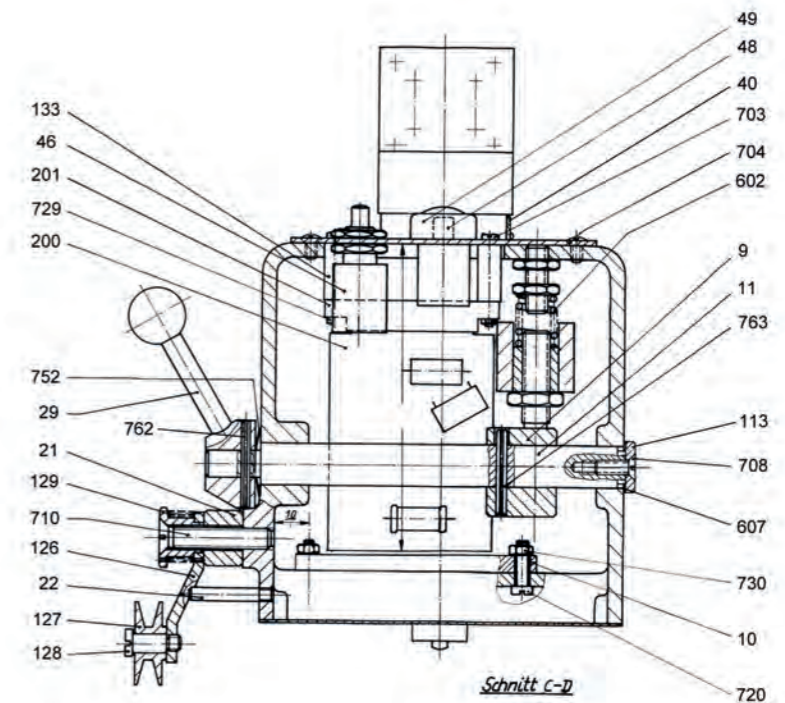
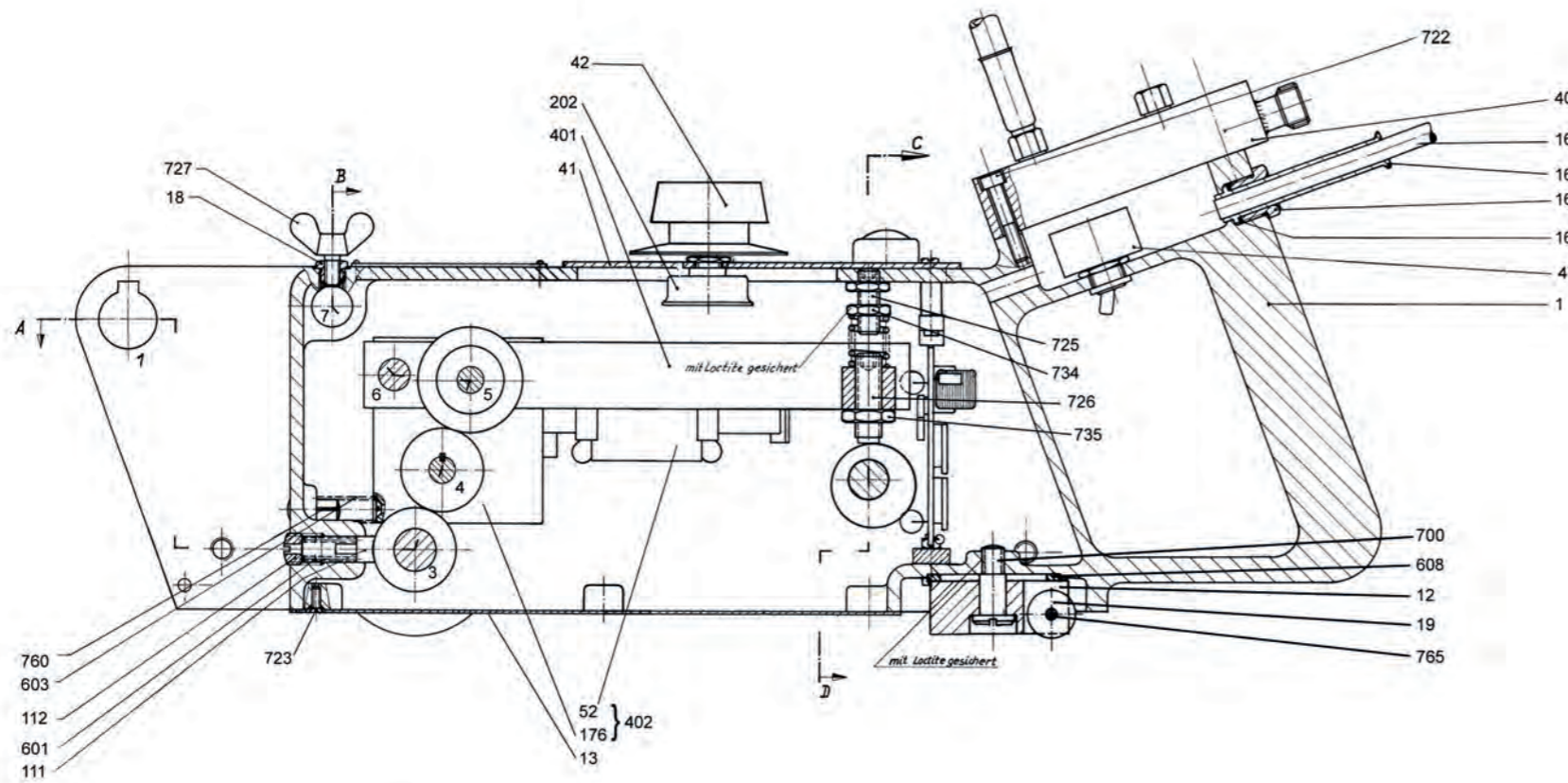
Subject to technical modifications 03/2020

ZINSER GmbH · Daimlerstr. 4
73095 Albershausen · Germany
Phone +49 (0)7161 5050-0
Fax +49 (0)7161 5050-100
info@zinser.de · www.zinser.de

Kreissparkasse Göppingen
BLZ 610 500 00
Account 152 58 256
Swift-Code: GOPSDE6G
IBAN: DE45 6105 0000 0015 2582 56

Deutsche Bank Göppingen
BLZ 610 700 78
Account 030 41 05
Swift-Code: DEUTDESS610
IBAN: DE17 6107 0078 0030 4105 00

Chief Executive Officers:
Ulrich Bock, Andreas Niklaus
HRB Ulm 533273
VAT ID DE813055989
Tax no. 63002/80479



Number	Description	Order Number
1	Housing	235 6501-001
2	Axis	235 6500-002
3	Friction wheel	235 6500-003
4	Friction wheel	235 6500-004
5	Spindle	235 6500-005
6	Press roll	235 6500-006
7	Distance ring	235 6500-007
8	Axis	235 6500-008
9	Excentric wheel	235 6500-009
10	Security elbow	235 6500-031
11	Axis	235 6500-011
12	Steering gap complete	235 6501-012
13	Covering plate	235 6500-013
14	Distance sleeve	235 6501-014
15	Cap	235 6500-015
17	Washer	235 6500-017
18	Reduction	235 6500-018
19	Roller	235 6500-019
21	Spacing roller	235 6500-021
22	Stud bolt	235 6500-022
24	Thermal protection shield	235 6501-024
25	Plate	235 6501-025
26	Distance tube	235 6501-026
29	Knob switch	235 6500-029
40	Shield	235 6500-040
41	Covering plate	235 6502-041
42	Rotary knob	235 6500-042
46	Switch 2-pole	235 5250-022
47	On-off switch 2-pole	235 7110-020
48	Glow lamp	235 6500-048
49	Pilot lamp red	235 6500-049
52	Motor (complete: part 402)	235 6500-052
55	Plug	235 6500-055
65	Horizontal guidance	235 6500-065
66	Torch guidance	235 6500-066
67	Longitudinal adjustment (complete: part 408)	235 6500-067
68	Toothed rack (complete: part 408)	235 6500-068
70	Torch guidance bar, for 1 torch (complete: part 307)	235 6501-070
71	Toothed rack, for 1 torch (complete: part 307)	235 6501-071
72	Pinion	235 6500-072
74	Compass weight	235 6500-074
75	Compass rod	235 6500-075
76	Compass point	235 6500-076
109	Pinion	235 6010-009
111	Stop button	235 6010-011
112	Stop screw	235 6010-012

Number	Description	Order Number
113	Disk	235 6010-013
115	Drive wheel	235 6010-015
116	Wheel	235 6010-016
126	Pivot arm	235 6010-026
127	Roll	235 6010-027
128	Shaft	235 6010-028
129	Guidance	235 6010-029
130	Torsion spring, left	235 6010-030
131	Torsion spring, right	235 6010-031
133	Distance bush	235 6010-033
164	Main supply with plug (5m)	235 6010-064
165 -167	Screwed cable gland	029 008-003
176	Gear (only as complete part 402)	235 6010-076
183	Turning knob	235 6010-083
200	Feed control, pluggable	235 6010-200
	Design 6/79 up to ~12/89	235 6010-100
	Design until 5/79	235 6010-071
201	Frame connector	235 6010-101
202	Potentiometer	265 1370-124
	Elektronic part complete (without control)	234 6500-007
301	Guide rail (length 1,0 m)	235 6500-087
302	Guide rail (length 1,5 m)	235 6500-088
303	Guide rail (length 2,0 m)	235 6500-089
304	Guide rail (length 2,5 m)	235 6500-090
305	Guide rail (length 3,0 m)	235 6500-091
307	Torch guidance bar complete (for 1 torch)	233 6500-007
308	Torch guidance bar complete (for 1 torches)	233 6500-001
401	Press lever complete	234 6500-001
402	Motor with gear	234 6500-002
403	Plate complete	234 6500-003
404	Armoured hose - oxygen complete	234 6500-004
405	Armoured hose - acetylene complete	234 6500-005
408	Longitudinal adjustment complete	234 6500-008
415	Armoured hose - propane complete	234 6500-015
501	Type plate - german	265 0350-007
	Type plate - english	265 0350-008
502	Torch guidance bar for 2 torches (complete: part 308)	235 6560-001
503	Toothed rack for 2 torches (complete: part 308)	235 6560-002
601	Pressure spring	040 0102-035
602	Pressure spring	040 0102-059
603	Pressure spring	040 0102-060
604	Ball bearing	040 0201-023
605	Gasket	040 0508-002
606	Star knob	040 1401-003
607	Shim ring	040 2500-004
608	Supporting disk	040 2500-033

Number	Description	Order Number
700	Flat headed screw M8x16	050 0602-020
701	Hexagon head screw M8x140	050 0107-023
703	Flat headed screw M3x30	050 0701-056
704	Rounded countersunk head screw M4x8	050 0703-008
705	Countersunk screw M3x10	050 0901-006
706	Countersunk screw M4x10	050 0901-012
707	Countersunk screw M5x10	050 0901-020
708	Countersunk screw M5x12	050 0901-021
709	Countersunk screw M5x20	050 0901-023
710	Countersunk screw M8x40	050 0901-038
719	Cylinder head screw M4x6	050 1001-024
720	Cylinder head screw M4	050 1901-006
721	Cylinder head screw M4x40	050 1001-032
722	Cylinder head screw M5x30	050 1002-010
723	Thread cutting screw G M3x10	050 1202-011
724	Set screw M4x12	050 1401-001
725	Set screw A M8x25	050 1402-020
726	Set screw A M10x35	050 1407-015
727	Wing screw M6x12	050 1501-005
728	Wing screw M8x12	050 1501-010
729	Hexagon nut M3	050 1901-005
730	Cylinder head screw M4x16	050 1001-028
731	Hexagon nut M8	050 1901-009
732	Hexagon nut M4 Ms	050 1902-007
733	Hexagon nut M5 Ms	050 1902-008
734	Hexagon nut B M8	050 1908-009
735	Hexagon nut B M10	050 1908-010
750	Retaining ring J 26x1,2	050 3102-015
751	Disk spring B 10x4,2x0,5	050 3203-005
752	Disk spring B 23x10,2x1	050 3203-030
753	Disk 13	050 3501-008
760	Grooved cylindrical pin 8x20	050 4002-010
761	Clamping sleeve 3x18	050 4101-010
762	Clamping sleeve 3x30	050 4101-012
763	Clamping sleeve 4x30	050 4101-020
764	Round head grooved pin 1,4x4	050 4201-002
765	Rivet pin A4h9x20	050 4406-010
766	Spring washer 2x2,6	050 4503-002
840	Hose clip B9	060 0400-002
841	Hose clip B6	060 0400-003
842	Cap nut R 1/4"	060 0401-003
843	Cap nut R 3/8" LH	060 0401-020
844	Cone nipple R 1/4" (complete: part 403)	060 0402-019
845	Cone nipple R 3/8" LH (complete: part 403)	060 0402-021
860	Locknut M12x1 Ms	060 0602-002

Number	Description	Order Number
908	Torch acetylene	231 4080-001
910	Torch propane	231 4100-001
911	Wing lever	235 4010-011
913	Press-screw	235 4010-001
914	Gasket	235 4010-004
915	Press-screw	235 4010-005
916	Gasket	235 4010-006
917	Valve spindle	235 4010-007
918	Washer	235 4010-008
920	Torch shank (complete: part 942)	235 4070-020
921	Toothed rack	235 4070-021
922	Seal (complete: part 942)	235 4010-022
923	Oxygen pipe (complete: part 942)	235 4070-023
924	Mixing nozzle (complete: part 942)	235 4010-002
925	Press-screw (complete: part 942)	235 4010-021
927	Hand wheel	225 1010-002
928	Valve shield >gas<	225 1010-006
930	Gland bolt	235 4010-010
932	Gland bolt	235 4010-012
933	Valve shield >heating-oxygen<	235 4010-013
937	Disk	235 1140-007
938	Pressure nozzle A (acetylene)	235 4010-003
939	Pressure nozzle P (propane)	235 1750-001
941	Valve corps complete	234 4010-001
942	Shank complete	234 4070-002
943	Valve spindle complete	234 4010-003
991 / 992	Nozzle (one-part type or two-part type) (block nozzle / HSD-nozzle)	