

CUTTING  
WELDING

SINCE 1898



# Spare Parts Favorit II

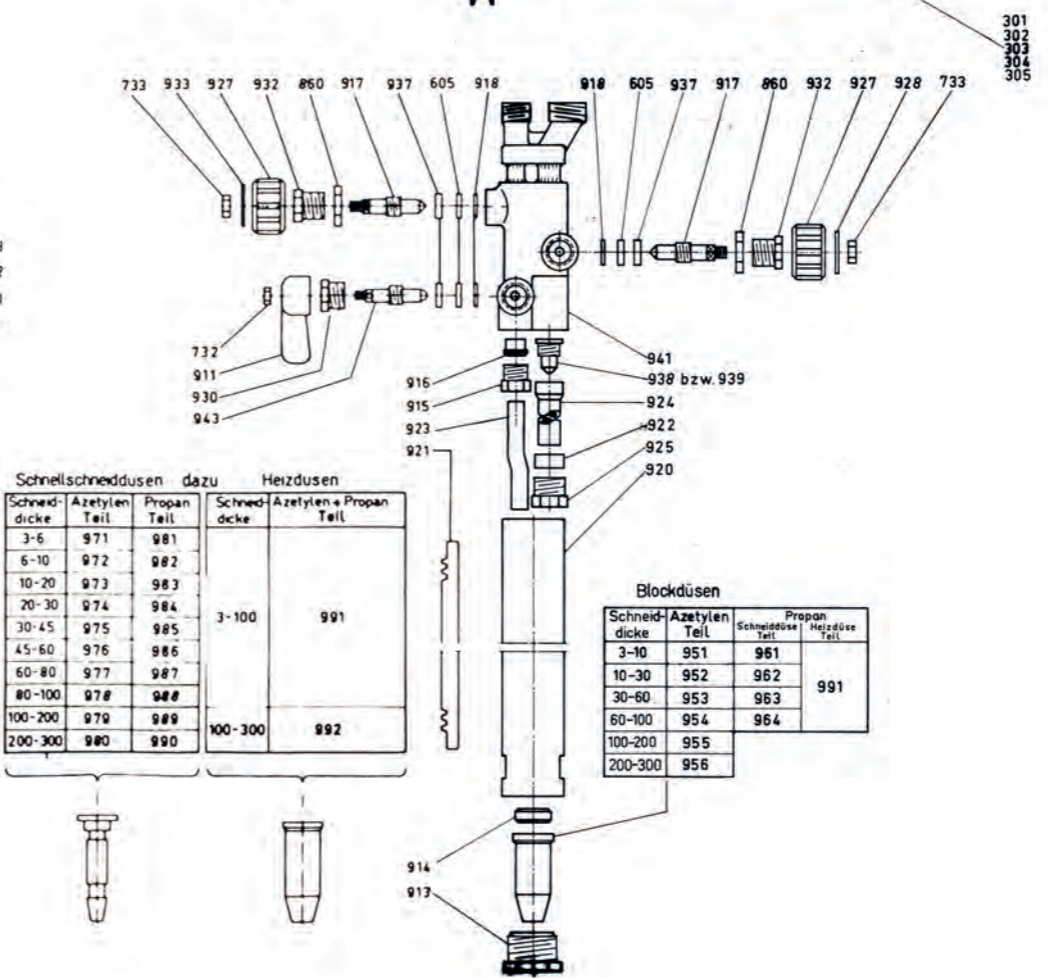
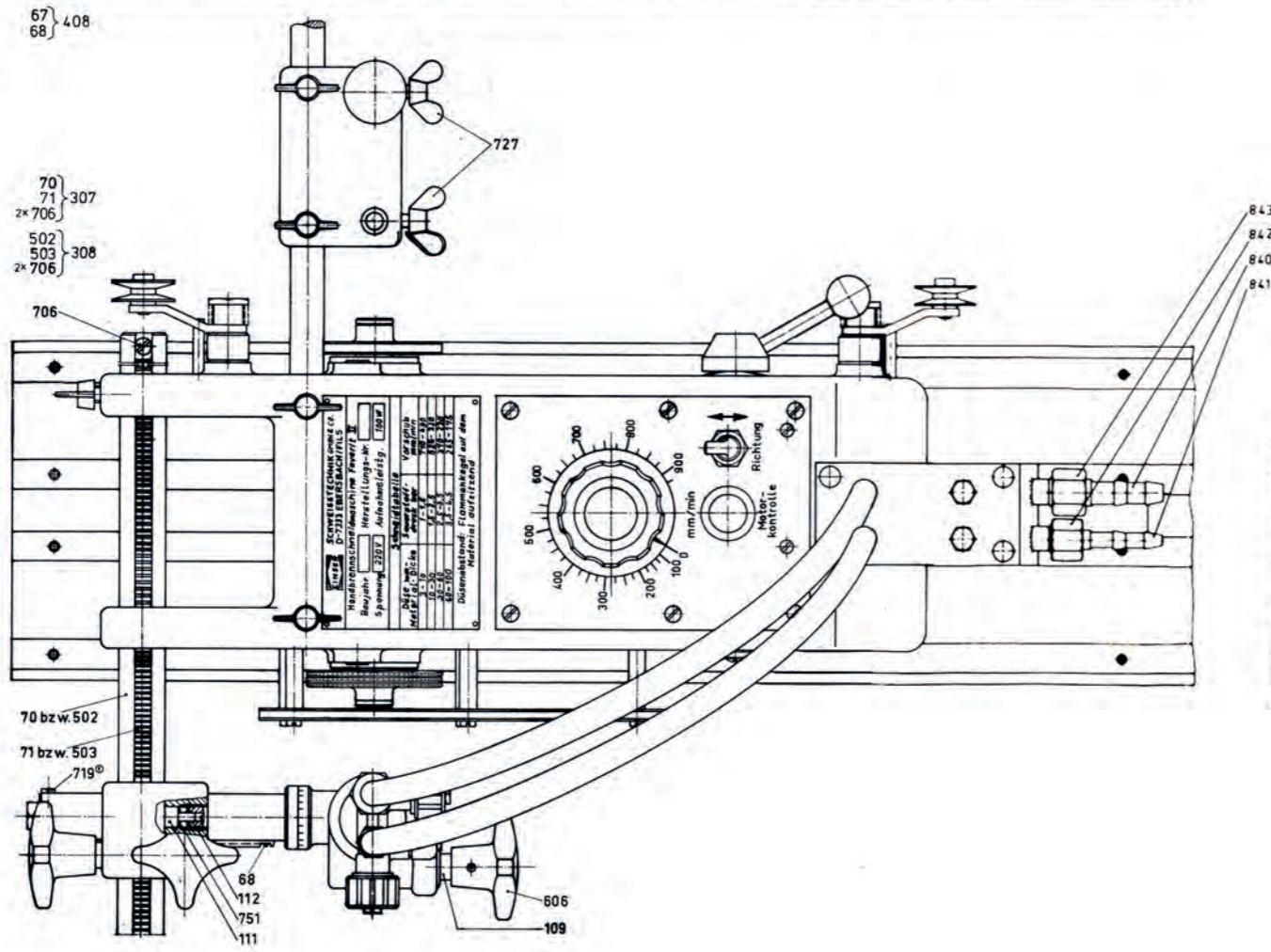
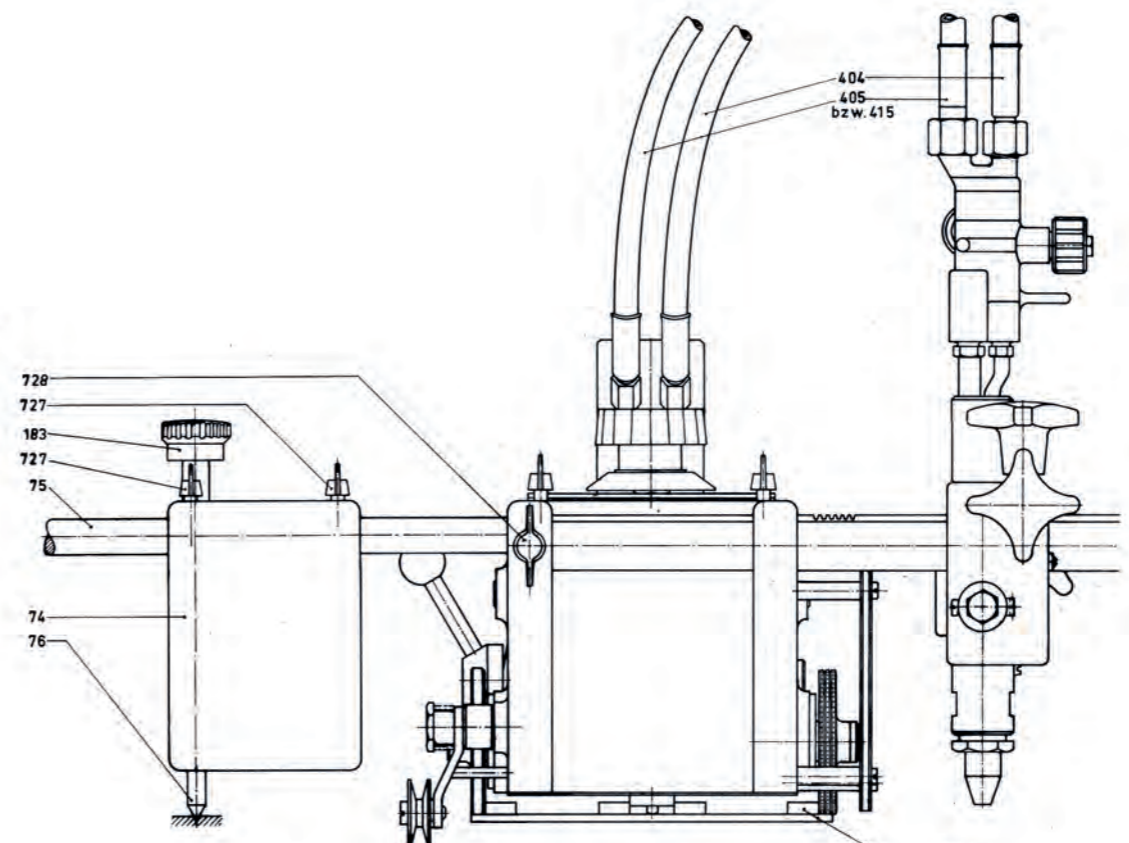
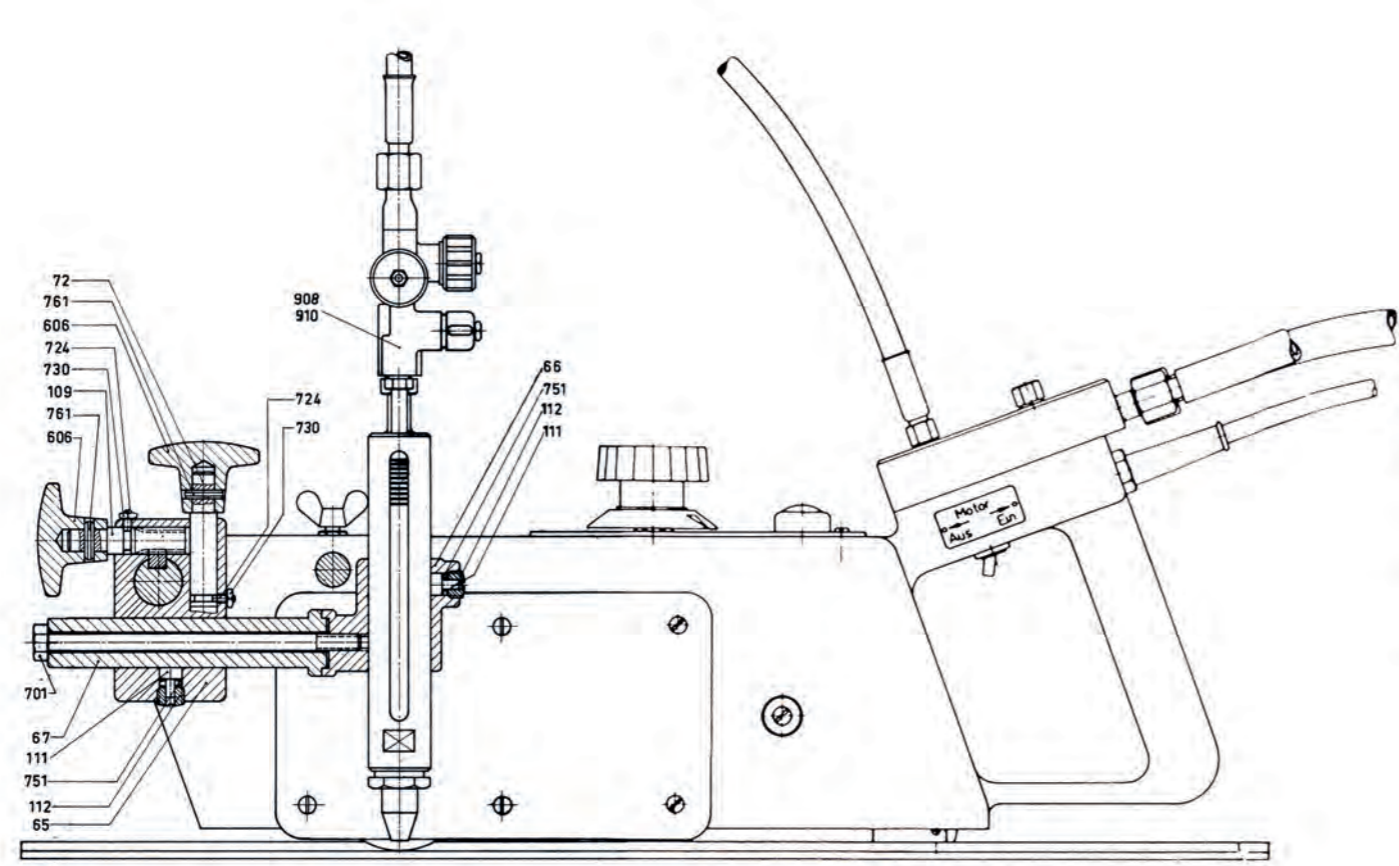
Subject to technical modifications 2023-11

ZINSER GmbH · Daimlerstr. 4  
73095 Albershausen · Germany  
Phone +49 (0)7161 5050-0  
Fax +49 (0)7161 5050-100  
info@zinser.de · www.zinser.de

Kreissparkasse Göppingen  
BLZ 610 500 00  
Account 152 58 256  
Swift-Code: GOPSDE6G  
IBAN: DE45 6105 0000 0015 2582 56

Deutsche Bank Göppingen  
BLZ 610 700 78  
Account 030 41 05  
Swift-Code: DEUTDESS610  
IBAN: DE17 6107 0078 0030 4105 00

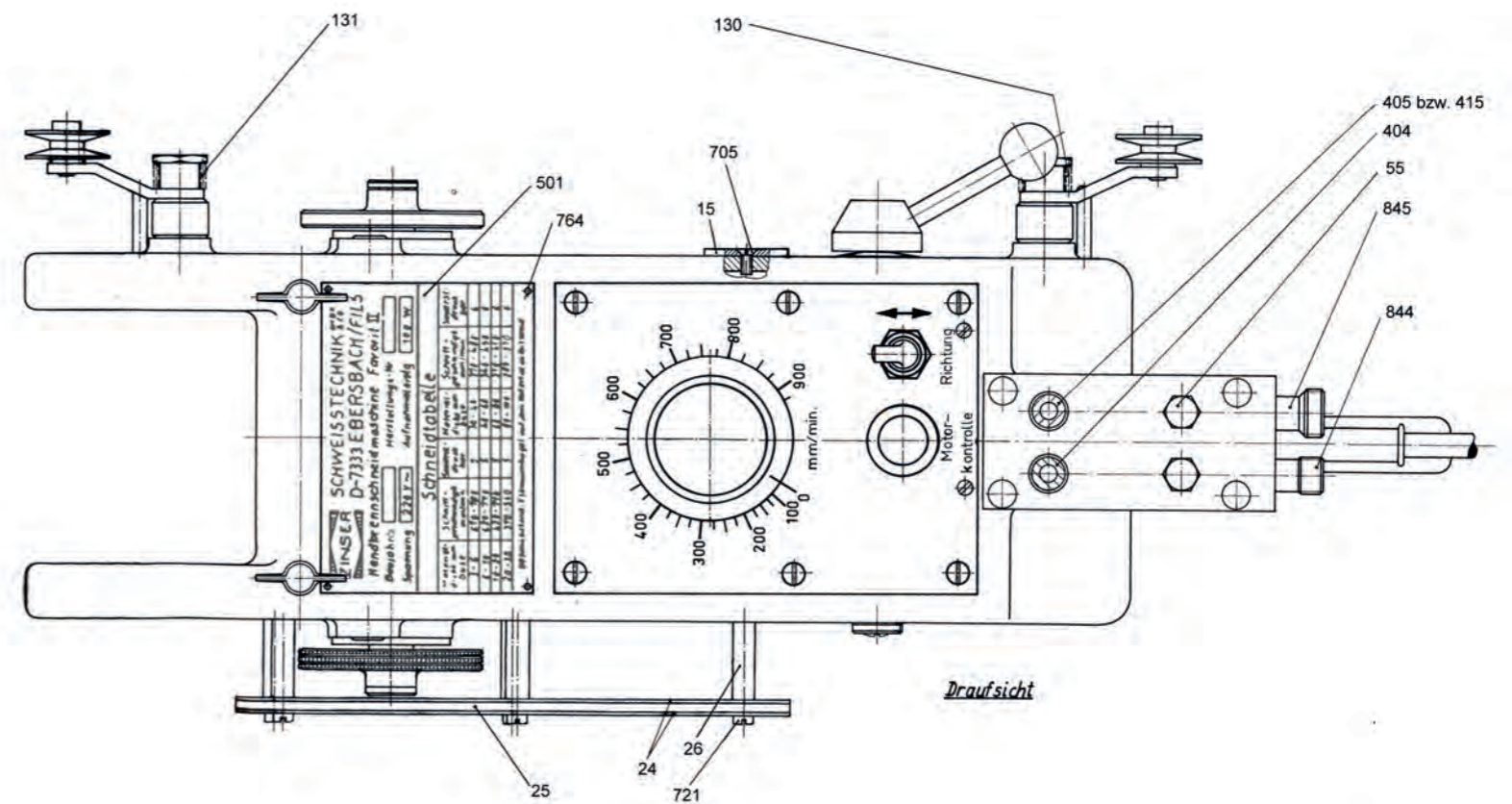
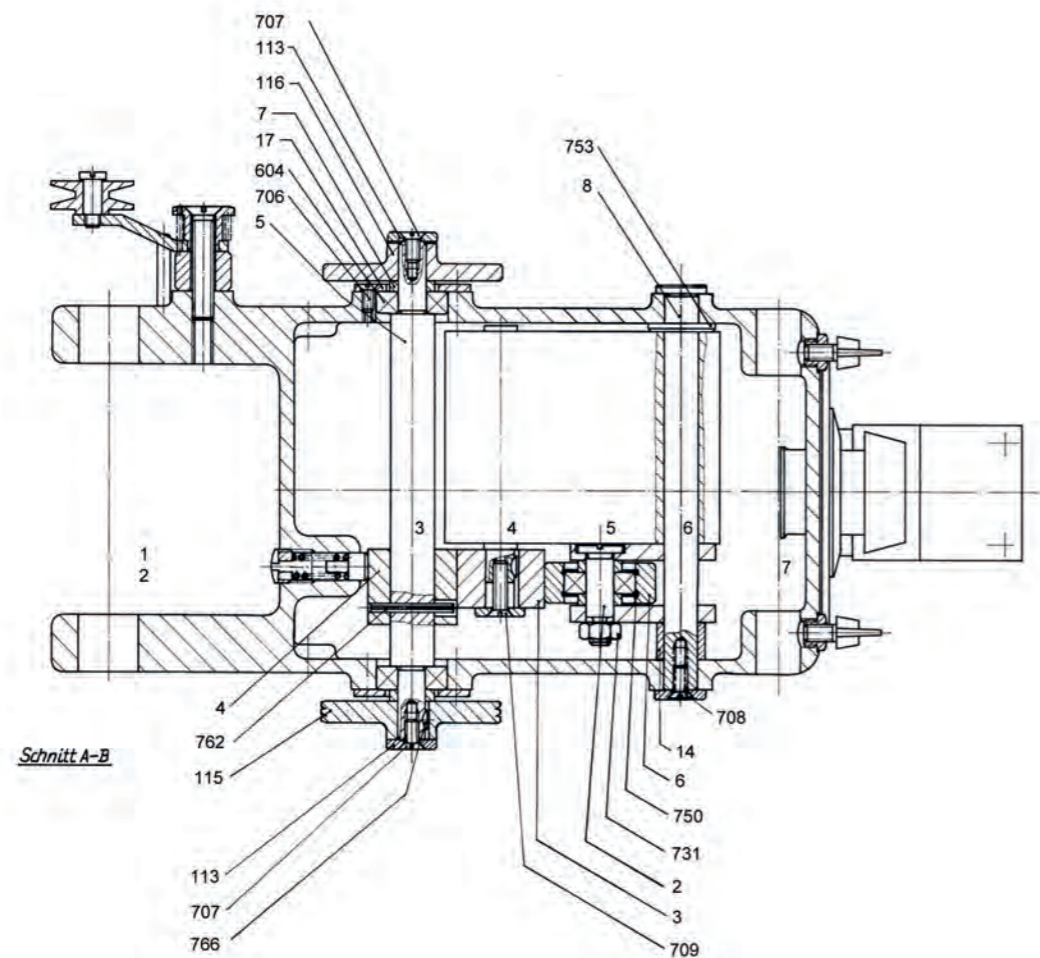
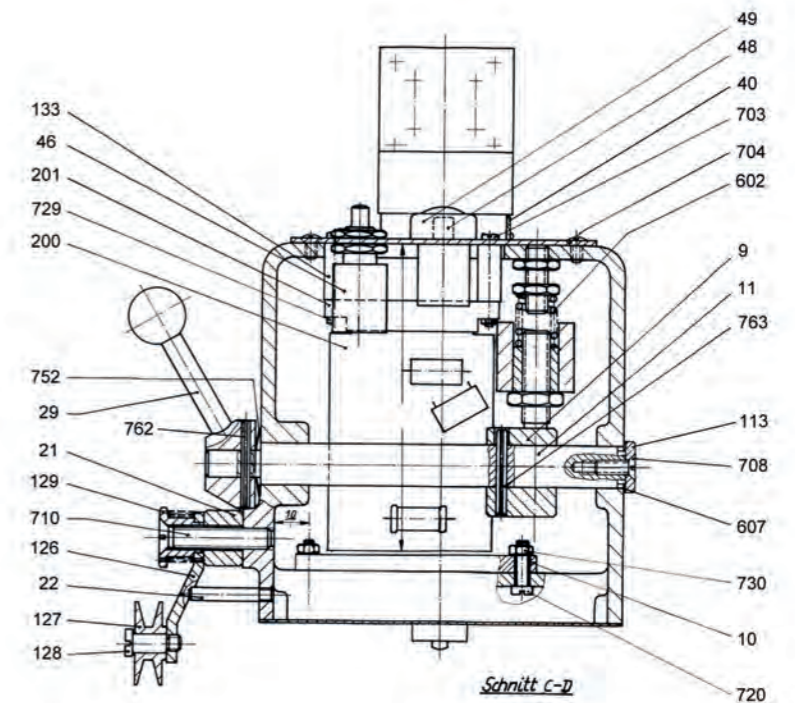
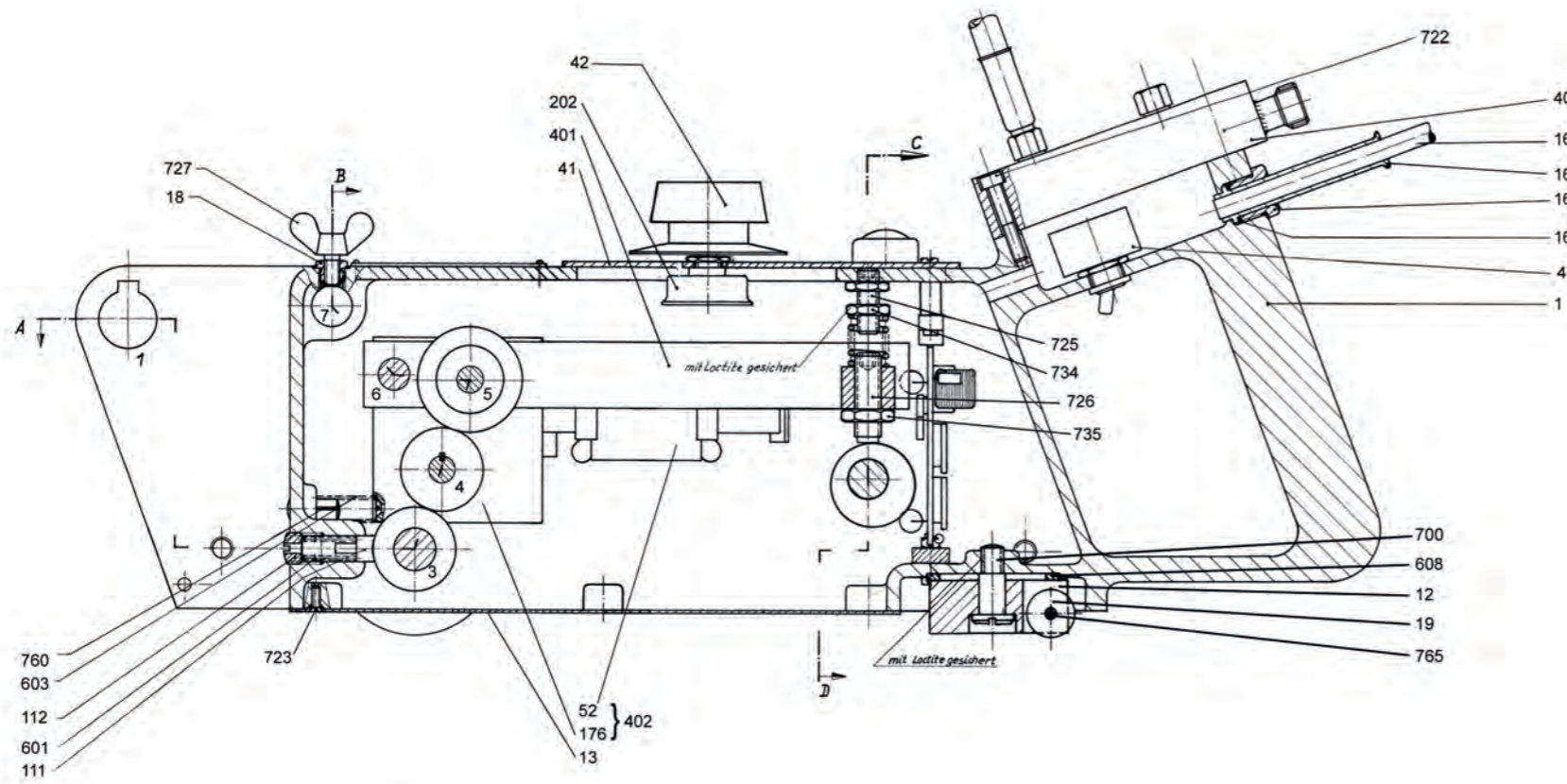
Chief Executive Officers:  
Ulrich Bock, Andreas Niklaus  
HRB Ulm 533273  
VAT ID DE813055989  
Tax no. 63002/80479



Schnellschneddüsen dazu			Heizdüsen	
Schneid- dicke	Azetylen Teil	Propan Teil	Schneid- dicke	Azetylen + Propan Teil
3-6	971	981		
6-10	972	982		
10-20	973	983		
20-30	974	984		
30-45	975	985		
45-60	976	986		
60-80	977	987		
80-100	978	988		
100-200	979	989		
200-300	980	990	3-100	991
			100-300	992

Blockdüsen			
Schneid- dicke	Azetylen Teil	Schnelldüse Teil	Propan Heizdüse Teil
3-10	951	961	
10-30	952	962	991
30-60	953	963	
60-100	954	964	
100-200	955		
200-300	956		





## Single parts

Number	Description	Order Number	Part of assembly group:
1	Housing	235 6501-001	
2	Axis	235 6500-002	
3	Friction wheel	235 6500-003	
4	Friction wheel	235 6500-004	
5	Spindle	235 6500-005	
6	Press roll	235 6500-006	
7	Distance ring	235 6500-007	
8	Axis	235 6500-008	
9	Excentric wheel	235 6500-009	
10	Security elbow	235 6500-031	
11	Axis	235 6500-011	
12	Steering gap complete	235 6501-012	B1
13	Covering plate	235 6500-013	
14	Distance sleeve	235 6501-014	
15	Cap	235 6500-015	
17	Washer	235 6500-017	
18	Reduction	235 6500-018	
19	Roller	235 6500-019	B1
21	Spacing roller	235 6500-021	
22	Stud bolt	235 6500-022	
24	Thermal protection shield	235 6501-024	
25	Plate	235 6501-025	
26	Distance tube	235 6501-026	
29	Knob switch	235 6500-029	
40	Shield	235 6500-040	
41	Covering plate	235 6502-041	
42	Rotary knob	235 6500-042	
46	Switch 2-pole	235 5250-022	
47	On-off switch 2-pole	235 7110-020	
48	Glow lamp	235 6500-048	
49	Pilot lamp red	235 6500-049	
52	Motor (complete: part 402)	235 6500-052	
55	Plug	235 6500-055	
65	Horizontal guidance	235 6500-065	
66	Torch guidance	235 6500-066	
67	Longitudinal adjustment (complete: part 408)	235 6500-067	
68	Toothed rack (complete: part 408)	235 6500-068	
70	Torch guidance bar, for 1 torch (complete: part 307)	235 6501-070	
71	Toothed rack, for 1 torch (complete: part 307)	235 6501-071	
72	Pinion	235 6500-072	
74	Compass weight	235 6500-074	
75	Compass rod	235 6500-075	
76	Compass point	235 6500-076	



Number	Description	Order Number	Part of assembly group:
109	Pinion	235 6010-009	
111	Stop button	235 6010-011	
112	Stop screw	235 6010-012	
113	Disk	235 6010-013	
115	Drive wheel	235 6010-015	
116	Wheel	235 6010-016	
126	Pivot arm	235 6010-026	
127	Roll	235 6010-027	
128	Shaft	235 6010-028	
129	Guidance	235 6010-029	
130	Torsion spring, left	235 6010-030	
131	Torsion spring, right	235 6010-031	
133	Distance bush	235 6010-033	
164	Main supply with plug ( 5m)	235 6010-064	
165 -167	Screwed cable gland	029 008-003	
176	Gear (only as complete part 402)	235 6010-076	
183	Turning knob	235 6010-083	
200	Feed control, pluggable	235 6010-200	
	Design 6/79 up to ~12/89	235 6010-100	
	Design until 5/79	235 6010-071	
201	Frame connector	235 6010-101	
202	Potentiometer	265 1370-124	
	Elektronic part complete (without control)	234 6500-007	
301	Guide rail (length 1,0 m)	235 6500-087	
302	Guide rail (length 1,5 m)	235 6500-088	
303	Guide rail (length 2,0 m)	235 6500-089	
304	Guide rail (length 2,5 m)	235 6500-090	
305	Guide rail (length 3,0 m)	235 6500-091	
307	Torch guidance bar complete (for 1 torch)	233 6500-007	
308	Torch guidance bar complete (for 1 torches)	2336560-001	
401	Press lever complete	234 6500-001	
402	Motor with gear	234 6500-002	
403	Plate complete	234 6500-003	
404	Armoured hose - oxygen complete	234 6500-004	
405	Armoured hose - acetylene complete	234 6500-005	
408	Longitudinal adjustment complete	234 6500-008	
415	Armoured hose - propane complete	234 6500-015	
501	Type plate - german	265 0350-007	
	Type plate - english	265 0350-008	
502	Torch guidance bar for 2 torches (complete: part 308)	235 6560-001	
503	Toothed rack for 2 torches (complete: part 308)	235 6560-002	
601	Pressure spring	040 0102-035	
602	Pressure spring	040 0102-059	
603	Pressure spring	040 0102-060	
604	Ball bearing	040 0201-023	
605	Gasket	040 0508-002	

Number	Description	Order Number	Part of assembly group:
606	Star knob	040 1401-003	
607	Shim ring	040 2500-004	
608	Supporting disk	040 2500-033	B1
700	Flat headed screw M8x16	050 0602-020	B1
701	Hexagon head screw M8x140	050 0107-023	
703	Flat headed screw M3x30	050 0701-056	
704	Rounded countersunk head screw M4x8	050 0703-008	
705	Countersunk screw M3x10	050 0901-006	
706	Countersunk screw M4x10	050 0901-012	
707	Countersunk screw M5x10	050 0901-020	
708	Countersunk screw M5x12	050 0901-021	
709	Countersunk screw M5x20	050 0901-023	
710	Countersunk screw M8x40	050 0901-038	
719	Cylinder head screw M4x6	050 1001-024	
720	Cylinder head screw M4	050 1901-006	
721	Cylinder head screw M4x40	050 1001-032	
722	Cylinder head screw M5x30	050 1002-010	
723	Thread cutting screw G M3x10	050 1202-011	
724	Set screw M4x12	050 1401-001	
725	Set screw A M8x25	050 1402-020	
726	Set screw A M10x35	050 1407-015	
727	Wing screw M6x12	050 1501-005	
728	Wing screw M8x12	050 1501-010	
729	Hexagon nut M3	050 1901-005	
730	Cylinder head screw M4x16	050 1001-028	
731	Hexagon nut M8	050 1901-009	
732	Hexagon nut M4 Ms	050 1902-007	
733	Hexagon nut M5 Ms	050 1902-008	
734	Hexagon nut B M8	050 1908-009	
735	Hexagon nut B M10	050 1908-010	
750	Retaining ring J 26x1,2	050 3102-015	
751	Disk spring B 10x4,2x0,5	050 3203-005	
752	Disk spring B 23x10,2x1	050 3203-030	
753	Disk 13	050 3501-008	
760	Grooved cylindrical pin 8x20	050 4002-010	
761	Clamping sleeve 3x18	050 4101-010	
762	Clamping sleeve 3x30	050 4101-012	
763	Clamping sleeve 4x30	050 4101-020	
764	Round head grooved pin 1,4x4	050 4201-002	
765	Rivet pin A4h9x20	050 4406-010	B1
766	Spring washer 2x2,6	050 4503-002	
840	Hose clip B9	060 0400-002	
841	Hose clip B6	060 0400-003	
842	Cap nut R 1/4"	060 0401-003	
843	Cap nut R 3/8" LH	060 0401-020	
844	Cone nipple R 1/4" (complete: part 403)	060 0402-019	

Number	Description	Order Number	Part of assembly group:
845	Cone nipple R 3/8" LH (complete: part 403)	060 0402-021	
860	Locknut M12x1 Ms	060 0602-002	
908	Torch acetylene	231 4080-001	
910	Torch propane	231 4100-001	
911	Wing lever	235 4010-011	
913	Press-screw	235 4010-001	
914	Gasket	235 4010-004	
915	Press-screw	235 4010-005	
916	Gasket	235 4010-006	
917	Valve spindle	235 4010-007	
918	Washer	235 4010-008	
920	Torch shank (complete: part 942)	235 4070-020	
921	Toothed rack	235 4070-021	
922	Seal (complete: part 942)	235 4010-022	
923	Oxygen pipe (complete: part 942)	235 4070-023	
924	Mixing nozzle (complete: part 942)	235 4010-002	
925	Press-screw (complete: part 942)	235 4010-021	
927	Hand wheel	225 1010-002	
928	Valve shield >gas<	225 1010-006	
930	Gland bolt	235 4010-010	
932	Gland bolt	235 4010-012	
933	Valve shield >heating-oxygen<	235 4010-013	
937	Disk	235 1140-007	
938	Pressure nozzle A (acetylene)	235 4010-003	
939	Pressure nozzle P (propane)	235 1750-001	
941	Valve corps complete	234 4010-001	
942	Shank complete	234 4070-002	
943	Valve spindle complete	234 4010-003	
991 / 992	Nozzle (one-part type or two-part type) (block nozzle / HSD-nozzle)		

## Assembly group

Number	Order Number	Description	Includes the following parts:
B1	2336500-008	Guide roll assembly complete	No. 12, 19, 608, 700, 765