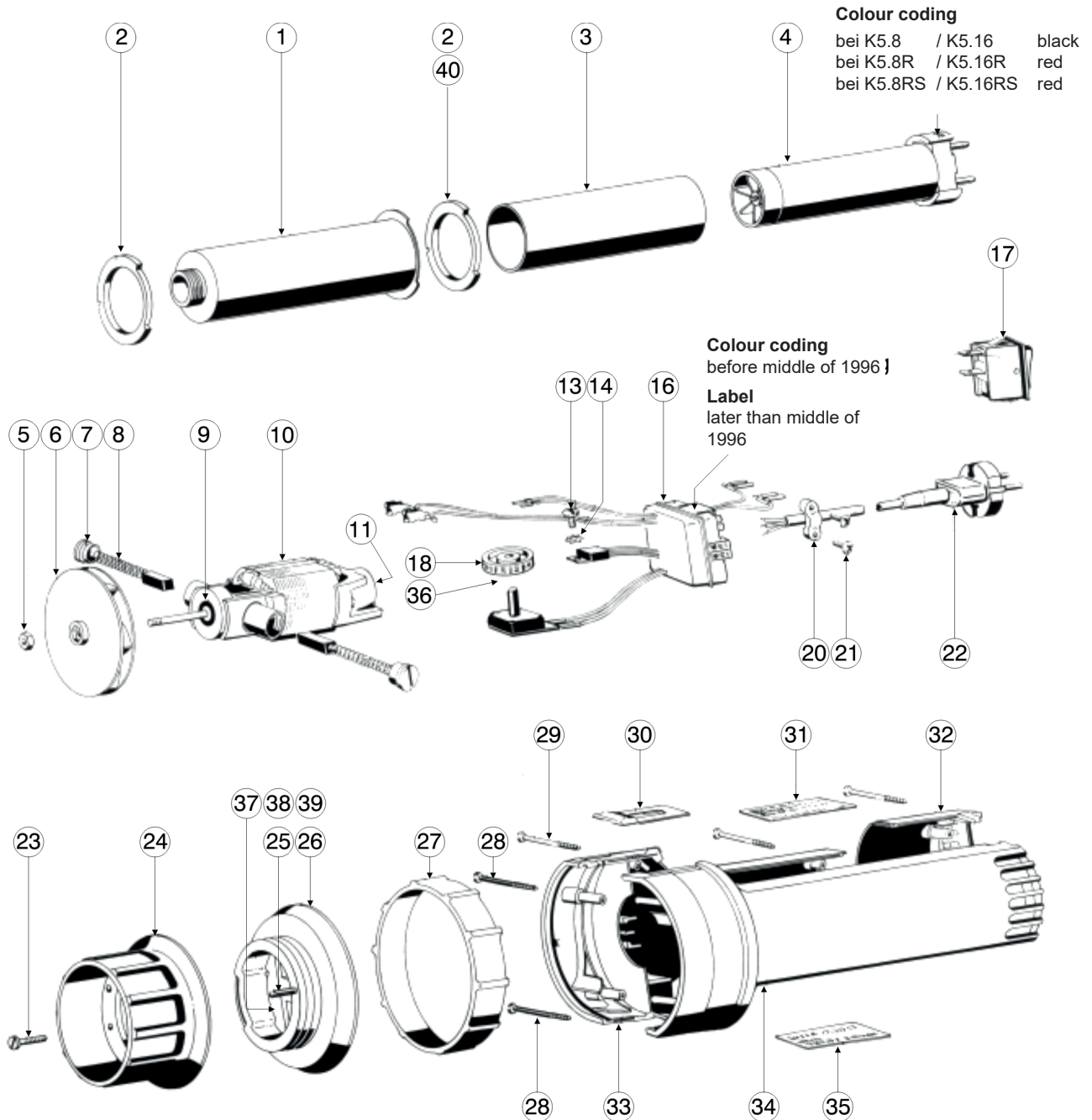


Spare Parts Unitherm

K5.8 / K5.16 / K5.8R / K5.16R / K5.8RS / K5.16RS



Number	Order Number	Description	Specification
1	283 0076-006	outer sleeve	
2 (*a)	285 0014-018	insulating disc	
3 (*b)	285 0014-022	insulation tube	
4	284 0181-182	heating element K5.8	230 V / 800 W (black imprint)
	284 0181-193	heating element K5.16	230 V / 1 600 W (black imprint)
	284 0181-195	heating element K5.8	120 V / 800 W (black imprint)
	284 0181-200	heating element K5.16	120 V / 1 600 W (black imprint)
	284 0181-214	heating element K5.8R	230 V / 800 W (red imprint)
	284 0181-215	heating element K5.16R	230 V / 1 600 W (red imprint)
	284 0181-216	heating element K5.8R	120 V / 800 W (red imprint)
	284 0181-211	heating element K5.16R	120 V / 1 600 W (red imprint)
	284 0181-242	heating element K5.8RS	230 V / 800 W (red imprint)
	284 0181-243	heating element K5.16RS	230 V / 1 600 W (red imprint)
	284 0181-240	heating element K5.8RS	120 V / 800 W (red imprint)
	284 0181-241	heating element K5.16RS	120 V / 1 600 W (red imprint)
5	050 1901-006	hex-nut	M4
6	285 0042-011	fan wheel ass.	
7	285 0183-005	screw for carbon brush	
8	285 0182-010	small carbon	6x5x21 mm
9	040 0201-060	deep groove ball bearing	
10	285 0043-022	built-in motor EM44-40K	230 V / 25 W / 17 000 U/min
	285 0043-030	built-in motor EM44-40K	120 V / 25 W / 17 000 U/min
11	040 0201-056	deep groove ball bearing	
13	050 1001-005	cylinder screw	M3x5
14	050 3001-005	toothed locked washer elastic	A3.2
16	283 0054-003	electronic control K5.8	230 V / 800 W (blue)
	283 0054-003	electronic control K5.16	230 V / 1 600 W (red)
	283 0054-004	electronic control K5.8	120 V / 800 W (violet)
	283 0054-004	electronic control K5.16	120 V / 1 600 W (black)
	284 0054-024	electronic control K5.8R	230 V / 800 W (blue or label)
	284 0054-025	electronic control K5.16R	230 V / 1 600 W (red or label)
	284 0054-026	electronic control K5.8R	120 V / 800 W (violet or label)
	284 0054-027	electronic control K5.16R	120 V / 1 600 W (black or label)
	284 0054-036	electronic control K5.8RS	230 V / 800 W (label)
	284 0054-037	electronic control K5.16RS	230 V / 1 600 W (label)
	284 0054-038	electronic control K5.8RS	120 V / 800 W (label)
	284 0054-039	electronic control K5.16RS	120 V / 1 600 W (label)
17	285 0037-024	rocker switch	
18	285 0007-018	rotary switch	
20	285 0068-020	strain relief clamp	

*a for units built before 2/1999 without change of the insulation tube

*b for units older than February 1999 the insulation disc (2) has to be replaced by the insulation disc when changing the insulation tube (3)

Number	Order Number	Description	Specification
21	050 0801-040	ejot-screw	KB40 WN1442 KB 40x12 steel
22	285 0065-018	lead with central shaped plug, 3 m	H05RR-F2x1 with plug
23	050 1204-002	thread-rolling screw	CM 3x16
24	285 0009-005	spigot nut	
25	050 4003-014	half length taper-grooved dowel	2.5x14
26	284 0004-094	casing cap K5.8 /K5.16 /K5.8R /K5.16R"	with number 25
	284 0004-112	casing cap K5.8RS /K5.16RS"	with numbers 25/37/38/39
27	285 0053-038	supporting collar	
28	050 0707-020	recessed lens head screw	M3x30
29	050 0707-010	recessed lens head screw	M3x20
30	285 0070-002	slide	
31	285 0006-105	company label	
32	285 0004-120	cover	
33	285 0004-119	right housing	
34	284 0004-095	left housing	
35		type label K5.8	230 V / 880 W / 50 Hz
		type label K5.16	230 V / 1 680 W / 50 Hz
		type label K5.8	120 V / 880 W / 50 Hz
		type label K5.16	120 V / 1 680 W / 50 Hz
	285 0006-126	type label K5.8R	230 V / 880 W / 50 Hz
	285 0006-127	type label K5.16R	230 V / 1 680 W / 50 Hz
	285 0006-128	type label K5.8R	120 V / 880 W / 50 Hz
	285 0006-129	type label K5.16R	120 V / 1 680 W / 50 Hz
	285 0006-150	type label K5.8RS	230 V / 880 W / 50 Hz
	285 0006-151	type label K5.16RS	230 V / 1 680 W / 50 Hz
	285 0006-152	type label K5.8RS	120 V / 880 W / 50 Hz
	285 0006-153	type label K5.16RS	120 V / 1 680 W / 50 Hz
36	285 0007-021	spring washer	
37	285 0090-602	female plug	K5.8RS / K5.16RS
38	024 0007-004	blade terminal MS	K5.8RS / K5.16RS
39	285 0009-001	slotted nut	K5.8RS / K5.16RS
40 (*c)	285 0014-035	insulation washer	
*c for units built in February 1999 and after and older units where the insulation tube is changed at the			