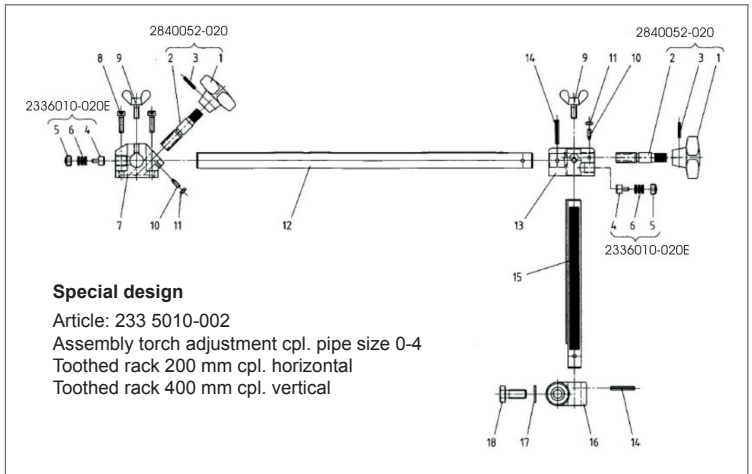
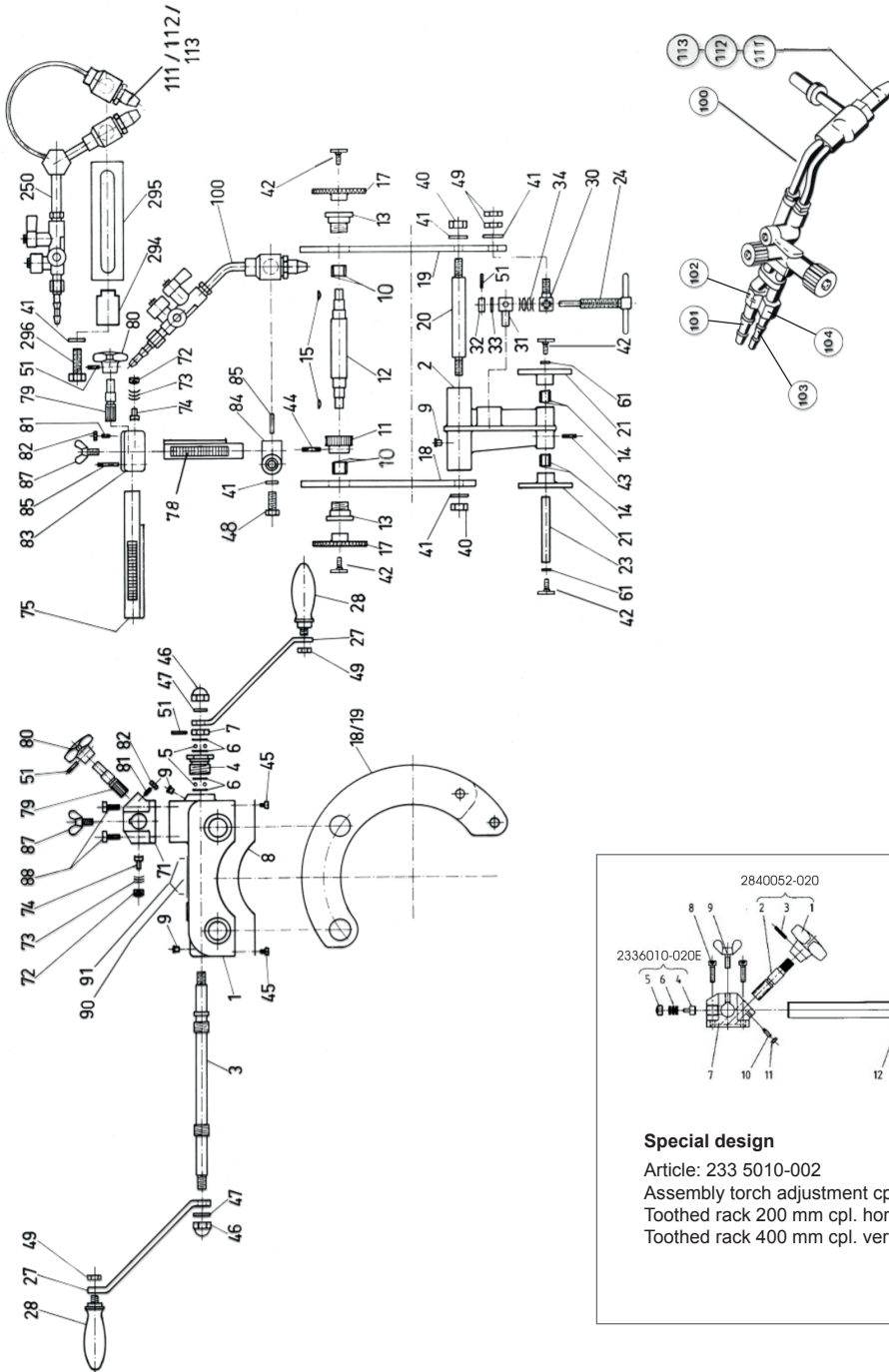


# Spare Parts RSV-0

231 5010-001



Subject to technical modifications 10/2018

Number	Order Number	Description
1	235 5010-001	Housing
2	235 5010-021	Lever link
3	235 5010-002	Worm shaft
4	235 5010-003	Bearing bush
5	040 2200-009	Steel ball Ø3 mm
6	050 3509-002	Shim ring 11x17x1.0 mm
7	235 5010-004	Setting ring
8	235 5010-005	Cover plate
9	030 0506-001	Lubricating nipple
10	040 0207-002	Needle assembly 12x16x13 TN
11	235 5010-006	Worm gear
12	235 5010-007	Shaft
13	235 5010-008	Guide bush
14	040 0207-001	Needle assembly 10x14x13 TN
15	050 4503-002	Spring washer 2x2.6 mm
17	235 5010-009	Drive gear
18	235 5010-022	Split ring
19	235 5010-023	Split ring
20	235 5010-024	Pin
21	235 5010-025	Roller
23	235 5010-026	Axis
24	235 5010-027	Spindle
27	235 5010-010	Crank handle
28	040 0802-005	Handle
30	235 5010-028	Spindle nut
31	235 5010-029	Spindle holder
32	050 3301-023	Setting ring 9x18x8
33	050 3509-001	Shim ring 9x15x1.0 mm
34	050 3203-022	Plate spring H+S=1.4 mm / 18x9.2x1.0 mm
40	050 1901-010	Hexagon nut M10
41	050 3501-007	Washer 10.5
42	050 0702-055	Flat headed screw
43	050 4101-011	Clamping sleeve 3x20
44	050 4101-017	Clamping sleeve 4x24
45	050 0701-064	Cylinder head screw M4x6
46	050 2101-003	Cap nut M10
47	050 2901-006	Washer spring
48	050 0110-051	Hexagon bolt M10x20
49	050 1908-010	Hexagon nut M10 flat
51	050 4101-010	Clamping sleeve 3x18
61	050 3001-008	Toothed locked washer 5.1
71	235 6012-002	Horizontal guide
72	235 6010-012	Brake screw
73	050 3203-005	Plate spring 10x4.2x0.4x0.7
74	235 6010-011	Brake plug
75	235 6010-020	Toothed rack - horizontal 185 mm

75-1	235 6010-019	Tooth rack - horizontal 400 mm Special design
78	235 6010-021	Toothed rack - vertical 115 mm
78-1	235 6010-039	Tooth rack - vertical 300 mm Special design
78-2	235 6010-040	Tooth rack - vertical 200 mm Special design
78-3	235 6010-043	Tooth rack - vertical 400 mm Special design
79	235 6010-009	Setting pinion
80	040 1401-003	Handwheel C50
81	050 1401-001	Set screw with half-dog point M4x12
82	050 1901-006	Hexagon nut M4
83	235 6011-003	Vertical guide
84	235 6010-004	Burner holder
85	050 4101-019	Clamping sleeve 4x28
87	050 1501-006	Wing screw M6x16
88	050 1002-008	Socket screw
90	235 5010-011	Type plate
91	050 4201-002	Round head grooved pin (brass) 1.4x4
100 a	231 4200-001	Cutting torch acetylene (without nozzle)
100 p	231 4220-001	Cutting torch propane (without nozzle)
101	0600 400-002	Hose socket 9 mm G3/8 heating gas
102	0600 401-020	Connecting nut G3/8LH heating gas
103	0600 400-003	Hose socket 6 mm G1/4 oxygen
104	0600 401-003	Connecting nut G1/4RH oxygen
111 a	235 3050-001	Block nozzle acetylene 3-10 mm
111 p	235 3060-001	Block cutting nozzle propane 3-10 mm
112 a	235 3050-002	Block nozzle acetylene 10-30 mm
112 p	235 3060-002	Block cutting nozzle propane 10-30 mm
113	235 3090-012	Heating nozzle propane und acetylene 3-100 mm
150	235 3010-017	Tip Cleaner 3-300 mm
151	235 3090-023	Steel box for noozles (6 pieces)
250	231 4260-001	Twin cutting torch acetylene (without nozzles)
294	235 5030-003	Bush
295	235 5030-002	Strap
296	050 0110-053	Hexagon bolt M10x30

**Special design: Article 233 5010-002**  
**Assembly torch adjustment cpl. pipe Size. 0-4**  
**Tooth rack 200 mm cpl. horizontal**  
**Tooth rack 400 mm cpl. vertical**

Item	Order number	Description
1	040 1401-003	Handwheel C50
2	235 6010-009	Bevel 60 mm long
3	050 4101-010	Clamping sleeve 3x18
4	235 6010-011	Brake plug
5	235 6010-012	Brake screw
6	050 3202-005	Plate spring
7	235 6012-002	Horizontal guide
8	050 1002-009	Cylinder head screw M5x20
9	050 1501-006	Wing screw M6x16
10	050 1401-001	Set screw
11	050 1901-006	Hexagon nut M4 flat
12	235 6010-020	Tooth rack - horizontal 400 mm
13	235 6011-003	Vertical guide
14	050 4101-019	Clamping sleeve 4x28
15	235 6010-021	Tooth rack - vertical 200 mm
16	235 6010-004	Burner holder
17	050 3501-007	Disc
18	050 0110-052	Countersink M10x25