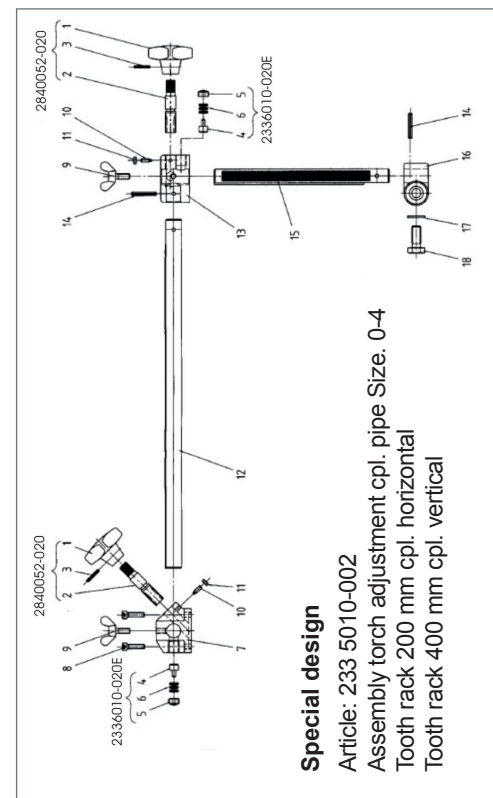
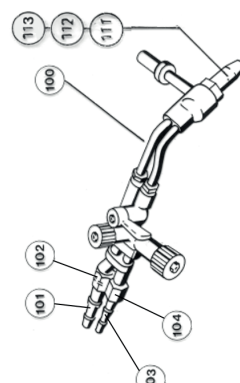
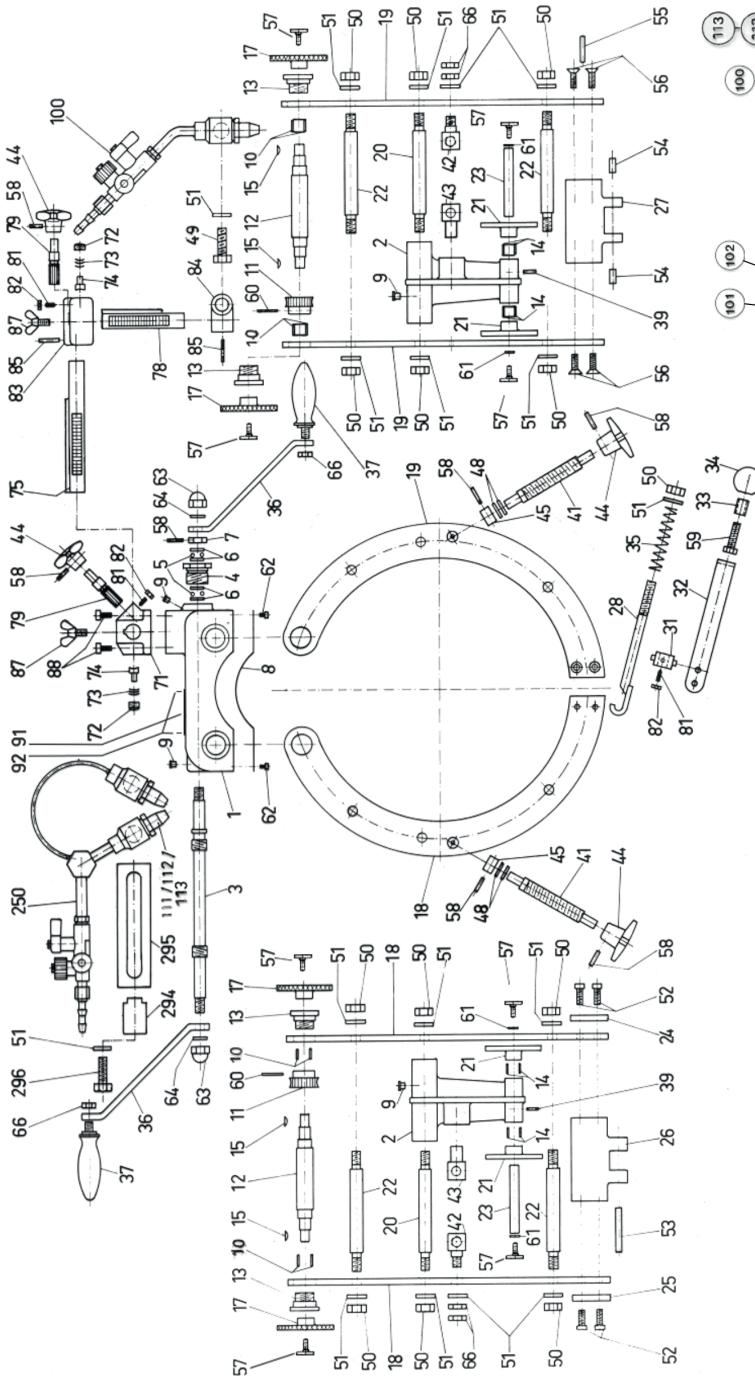


Spare Parts RSV-1

231 5050-001



Special design

- Article: 233 5010-002
- Assembly torch adjustment cpl. pipe Size: 0-4
- Tooth rack 200 mm cpl. horizontal
- Tooth rack 400 mm cpl. vertical

Subject to technical modifications 10/2018

ZINSER GmbH · Daimlerstr. 4
73095 Albershausen · Gemany
Phone +49 (0)7161 5050-0
Fax +49 (0)7161 5050-100
info@zinsler.de · www.zinsler.de

Kreissparkasse Göppingen
BLZ 610 500 00
Account 152 58 256
Swift-Code: GOPSDE6G
IBAN: DE45 6105 0000 0015 2582 56

Deutsche Bank Göppingen
BLZ 610 700 78
Account 030 41 05
Swift-Code: DEUTDESS610
IBAN: DE17 6107 0078 0030 4105 00

Chief Executive Officers:
Ulrich Bock, Andreas Niklaus
HRB Ulm 533273
VAT ID DE813055989
Tax no. 63002/80479

| Number | Order Number | Description |
|---------|--------------|----------------------------------|
| 1 | 235 5010-001 | Housing |
| 2 | 235 5010-021 | Lever link |
| 3 | 235 5010-002 | Worm shaft |
| 4 | 235 5010-003 | Bearing bush |
| 5 | 040 2200-009 | Steel ball Ø3mm |
| 6 | 050 3509-002 | Shim ring 11x17x1.0mm |
| 7 | 235 5010-004 | Setting ring |
| 8 | 235 5010-005 | Cover plate |
| 9 | 030 0506-001 | Lubricating nipple |
| 10 | 040 0207-002 | Needle assembly K 12x16x13 TN |
| 11 | 235 5010-006 | Worm gear |
| 12 | 235 5010-007 | Shaft |
| 13 | 235 5010-008 | Guide bush |
| 14 | 040 0207-001 | Needle assembly K 10x14x13 TN |
| 15 | 050 4503-002 | Spring washer 2x2.6mm |
| 17 | 235 6010-015 | Drive gear |
| 18 / 19 | 235 5050-001 | Split ring |
| 20 | 235 5010-024 | Pin |
| 21 | 235 5050-003 | Roller |
| 22 | 235 5050-004 | Distance bolt |
| 23 | 235 5010-026 | Axis |
| 24 | 235 5050-005 | Rear guide |
| 25 | 235 5050-006 | Front guide |
| 26 | 235 5050-007 | Cover section |
| 27 | 235 5050-008 | Hinged section |
| 28 | 234 5050-001 | Clamping screw |
| 31 | 235 5050-009 | Joint component |
| 32 | 235 5050-010 | Bracket |
| 33 | 235 5050-011 | Sleeve |
| 34 | 040 1302-008 | Button |
| 35 | 040 0102-040 | Pressure spring |
| 36 | 235 5010-010 | Crank handle |
| 37 | 040 0802-005 | Handle |
| 39 | 050 4101-011 | Clamping sleeve |
| 41 | 235 5050-012 | Spindle |
| 42 | 235 5010-028 | Spindle nut |
| 43 | 235 5010-029 | Spindle holder |
| 44 | 040 1401-003 | Handwheel |
| 45 | 050 3301-023 | Setting ring 9x18x8 |
| 48 | 050 3509-001 | Shim ring 9x15x1.0mm |
| 49 | 050 0110-052 | Hexagon bolt M10x25 |
| 50 | 050 1901-010 | Hexagon nut M10 |
| 51 | 050 3501-007 | Washer 10.5 |
| 52 | 050 1002-016 | Socket screw M6x20 |
| 53 | 050 4003-034 | Close tolerance grooved pin 6x50 |
| 54 | 050 4003-020 | Close tolerance grooved pin 6x14 |

| | | |
|-------|--------------|--|
| 55 | 050 4003-020 | Close tolerance grooved pin 6x14 |
| 56 | 050 0910-028 | Countersink M6x16 |
| 57 | 050 0702-055 | Flat headed screw |
| 58 | 050 4101-010 | Clamping sleeve 3x18 |
| 59 | 050 0110-036 | Hexagon bolt M8x35 |
| 60 | 050 4101-017 | Clamping sleeve 4x24 |
| 61 | 050 3001-008 | Toothed locked washer 5.1 |
| 62 | 050 0701-064 | Slotted cheese head screw M4x6 |
| 63 | 050 2101-003 | Cap nut M10 |
| 64 | 050 2901-006 | Washer spring |
| 66 | 050 1908-010 | Hexagon nut M10 flat |
| 71 | 235 6012-002 | Horizontal guide |
| 72 | 235 6010-012 | Brake screw |
| 73 | 050 3203-005 | Plate spring 10x4.2x0.4x0.7 |
| 74 | 235 6010-011 | Brake plug |
| 75 | 235 6010-020 | Toothed rack - horizontal |
| 75-1 | 235 6010-019 | Tooth rack - horizontal 400 mm Special design |
| 78 | 235 6010-021 | Toothed rack - vertical |
| 78-1 | 235 6010-039 | Tooth rack - vertical 300 mm Special design |
| 78-2 | 235 6010-040 | Tooth rack - vertical 200 mm Special design |
| 78-3 | 235 6010-043 | Tooth rack - vertical 400 mm Special design |
| 79 | 235 6010-009 | Setting pinion |
| 81 | 050 1401-001 | Set screw with half-dog point M4x12 |
| 82 | 050 1901-006 | Hexagonal nut M4 |
| 83 | 235 6011-003 | Vertical guide |
| 84 | 235 6010-004 | Burner holder |
| 85 | 050 4101-019 | Clamping sleeve 4x28 |
| 87 | 050 1501-006 | Wing screw M6x16 |
| 88 | 050 1002-008 | Socket screw |
| 90 | 050 3001-008 | Toothed locked washer 5.1 |
| 91 | 235 5010-011 | Type plate |
| 92 | 050 4201-002 | Round head grooved pin (brass) 1.4x4 |
| 100 a | 231 4200-001 | Cutting torch acetylene (without nozzle) |
| 100 p | 231 4220-001 | Cutting torch propane (without nozzle) |
| 101 | 0600 400-002 | Hose socket 9 mm G3/8 heating gas |
| 102 | 0600 401-020 | Connecting nut G3/8LH heating gas |
| 103 | 0600 400-003 | Hose socket 6 mm G1/4 oxygen |
| 104 | 0600 401-003 | Connecting nut G1/4RH oxygen |
| 111 a | 235 3050-001 | Block nozzle acetylene 3-10 mm |
| 111 p | 235 3060-001 | Block cutting nozzle propane 3-10 mm |
| 112 a | 235 3050-002 | Block nozzle acetylene 10-30 mm |
| 112 p | 235 3060-002 | Block cutting nozzle propane 10-30 mm |
| 113 | 235 3090-012 | Heating nozzle propane und acetylene 3-100 mm |
| 250 | 231 4260-001 | Twin cutting torch acetylene (without nozzles) |
| 294 | 235 5030-003 | Bush |
| 295 | 235 5030-002 | Strap |
| 296 | 050 0110-053 | Hexagon bolt M10x30 |

Special design: Article 233 5010-002
Assembly torch adjustment cpl. pipe Size. 0-4
Tooth rack 200 mm cpl. horizontal
Tooth rack 400 mm cpl. vertical

| Item | Order number | Description |
|------|--------------|-------------------------------|
| 1 | 040 1401-003 | Handwheel C50 |
| 2 | 235 6010-009 | Bevel 60 mm long |
| 3 | 050 4101-010 | Clamping sleeve 3x18 |
| 4 | 235 6010-011 | Brake plug |
| 5 | 235 6010-012 | Brake screw |
| 6 | 050 3202-005 | Plate spring |
| 7 | 235 6012-002 | Horizontal guide |
| 8 | 050 1002-009 | Cylinder head screw |
| 9 | 050 1501-006 | Wing screw M6x16 |
| 10 | 050 1401-001 | Set screw |
| 11 | 050 1901-006 | Hexagon nut M4 flat |
| 12 | 235 6010-019 | Tooth rack - horizontal 400mm |
| 13 | 235 6011-003 | Vertical guide |
| 14 | 050 4101-019 | Clamping sleeve 4x28 |
| 15 | 235 6010-040 | Tooth rack - vertical 200mm |
| 16 | 235 6010-004 | Burner holder |
| 17 | 050 3501-007 | Disc |
| 18 | 050 0110-052 | Countersink M10x25 |