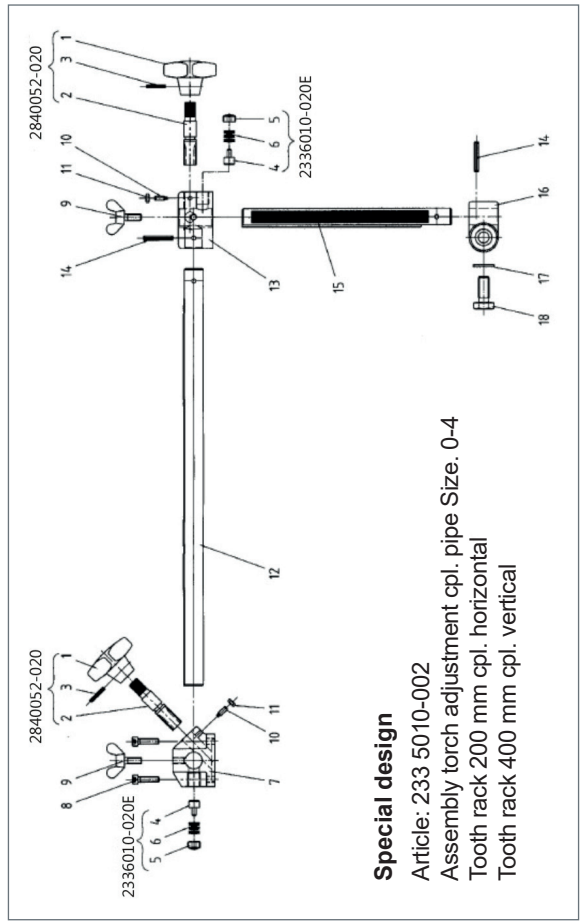
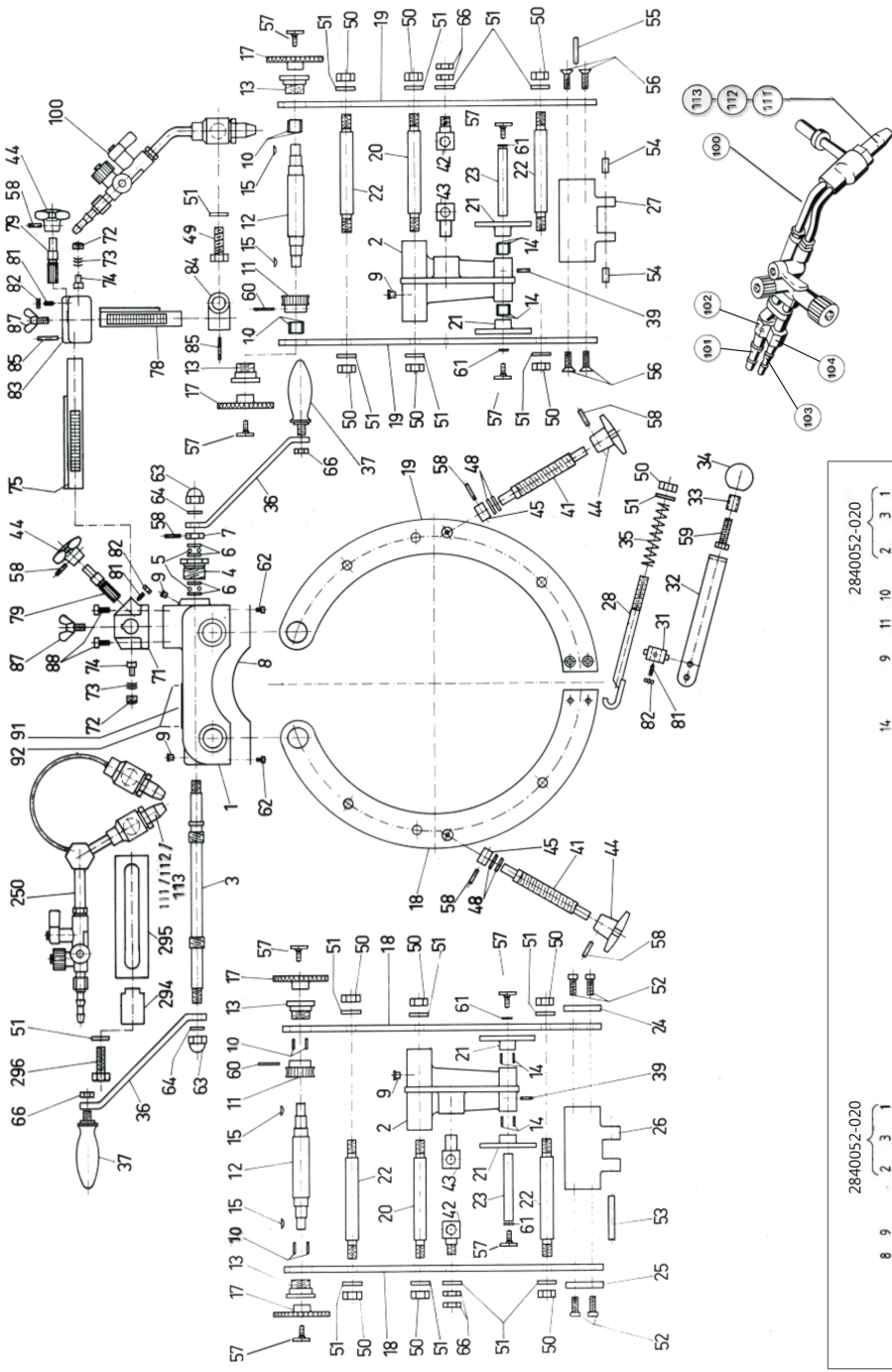


Spare Parts RSV-2

231 5110-001



Special design

- Article: 233 5010-002
- Assembly torch adjustment cpl. pipe Size. 0-4
- Tooth rack 200 mm cpl. horizontal
- Tooth rack 400 mm cpl. vertical

Subject to technical modifications 2021-03

ZINSER GmbH · Daimlerstr. 4
73095 Albershausen · Gemany
Phone +49 (0)7161 5050-0
Fax +49 (0)7161 5050-100
info@zinsler.de · www.zinsler.de

Kreissparkasse Göppingen
BLZ 610 500 00
Account 152 58 256
Swift-Code: GOPSDE6G
IBAN: DE45 6105 0000 0015 2582 56

Deutsche Bank Göppingen
BLZ 610 700 78
Account 030 41 05
Swift-Code: DEUTDESS610
IBAN: DE17 6107 0078 0030 4105 00

Chief Executive Officers:
Ulrich Bock, Andreas Niklaus
HRB Ulm 533273
VAT ID DE813055989
Tax no. 63002/80479

Single parts

Number	Order Number	Description	Part of assembly group:
1	235 5010-001	Housing	
2	235 5010-021	Lever link	B2
3	235 5010-002	Worm shaft	B4
4	235 5010-003	Bearing bush	B4
5	040 2200-009	Steel ball Ø3 mm	B4
6	050 3509-002	Shim ring 11x17x1.0 mm	B4
7	235 5010-004	Setting ring	B4
8	235 5010-005	Cover plate	
9	030 0506-001	Lubricating nipple	B2
10	040 0207-002	Needle assembly K 12x16x13 TN	
11	235 5010-006	Worm gear	
12	235 5010-007	Shaft	
13	235 5010-008	Guide bush	
14	040 0207-001	Needle assembly K 10x14x13 TN	B2
15	050 4503-002	Spring washer 2x2.6 mm	
17	235 6010-015	Drive gear	
18 / 19	235 5110-001	Split ring	
20	235 5010-024	Pin	
21	235 5050-003	Roller	B2
22	235 5050-004	Distance bolt	
23	235 5010-026	Axis	B2
24	235 5050-005	Rear guide	
25	235 5050-006	Front guide	
26	235 5050-007	Cover section	B6
27	235 5050-008	Hinged section	B5
28	234 5050-001	Clamping screw	B5
31	235 5050-009	Joint component	B5
32	235 5050-010	Bracket	B5
33	235 5050-011	Sleeve	B5
34	040 1302-008	Button	B5
35	040 0102-040	Pressure spring	B5
36	235 5010-010	Crank handle	B7
37	040 0802-005	Handle	B7
39	050 4101-011	Clamping sleeve	
41	235 5050-012	Spindle	B3
42	235 5010-028	Spindle nut	B3
43	235 5010-029	Spindle holder	B3
44	040 1401-003	Handwheel	B1, B3
45	050 3301-023	Setting ring 9x18x8	B3
48	050 3509-001	Shim ring 9x15x1.0 mm	B3
49	050 0110-052	Hexagon bolt M10x25	
50	050 1901-010	Hexagon nut M10	B5
51	050 3501-007	Washer 10.5	B5
52	050 1002-016	Socket screw M6x20	
53	050 4003-034	Close tolerance grooved pin 6x50	B6
54	050 4003-020	Close tolerance grooved pin 6x14	B5
55	050 4003-020	Close tolerance grooved pin 6x14	

Number	Order Number	Description	Part of assembly group:
56	050 0910-028	Countersink M6x16	
57	050 0702-055	Flat headed screw	B2
58	050 4101-010	Clamping sleeve 3x18	B1,B3
59	050 0110-036	Hexagon bolt M8x35	B5
60	050 4101-017	Clamping sleeve 4x24	
61	050 3001-008	Toothed locked washer 5.1	
62	050 0701-064	Slotted cheese head screw M4x6	
63	050 2101-003	Cap nut M10	
64	050 2901-006	Washer spring	
66	050 1908-010	Hexagon nut M10 flat	B7
71	235 6012-002	Horizontal guide	B1
72	235 6010-012	Brake screw	B1
73	050 3203-005	Plate spring 10x4.2x0.4x0.7	B1
74	235 6010-011	Brake plug	B1
75	235 6010-020	Toothed rack - horizontal	B1
75-1	235 6010-019	Tooth rack - horizontal 400 mm Special design	
78	235 6010-021	Toothed rack - vertical	B1
78-1	235 6010-039	Tooth rack - vertical 300 mm Special design	
78-2	235 6010-040	Tooth rack - vertical 200 mm Special design	
78-3	235 6010-043	Tooth rack - vertical 400 mm Special design	
79	235 6010-009	Setting pinion	B1
81	050 1401-001	Set screw with half-dog point M4x12	B1, B5
82	050 1901-006	Hexagonal nut M4	B1, B5
83	235 6011-003	Vertical guide	B1
84	235 6010-004	Burner holder	B1
85	050 4101-019	Clamping sleeve 4x28	B1
87	050 1501-006	Wing screw M6x16	B1
88	050 1002-008	Socket screw	
90	050 3001-008	Toothed locked washer 5.1	
91	235 5010-011	Type plate	
92	050 4201-002	Round head grooved pin (brass) 1.4x4	
100 a	231 4200-001	Cutting torch acetylene (without nozzle)	
100 p	231 4220-001	Cutting torch propane (without nozzle)	
101	0600 400-002	Hose socket 9 mm G3/8 heating gas	
102	0600 401-020	Connecting nut G3/8LH heating gas	
103	0600 400-003	Hose socket 6 mm G1/4 oxygen	
104	0600 401-003	Connecting nut G1/4RH oxygen	
111 a	235 3050-001	Block nozzle acetylene 3-10 mm	
111 p	235 3060-001	Block cutting nozzle propane 3-10 mm	
112 a	235 3050-002	Block nozzle acetylene 10-30 mm	
112 p	235 3060-002	Block cutting nozzle propane 10-30 mm	
113	235 3090-012	Heating nozzle propane und acetylene 3-100 mm	
250	231 4260-001	Twin cutting torch acetylene (without nozzles)	
294	235 5030-003	Bush	
295	235 5030-002	Strap	
296	050 0110-053	Hexagon bolt M10x30	

Assembly group

Number	Order Number	Description	Includes the following parts:
B1	2335010-001	Torch adjustment complete complete	No. 44, 58, 71-75, 78, 79, 81-85, 87
B2	2345050-004	Lever complete	No. 2, 9, 14, 21, 23, 57
B3	2335050-001	Spindle complete	No. 41-45, 48, 58
B4	2345230-010	Worm shaft complete	No. 3-7
B5	2345050-005	Locking assembly complete	No. 27, 28, 31-35, 50, 51, 54, 59, 81, 82
B6	2345050-002	Locking piece complete	No. 26, 53
B7	2345050-006	Crank complete	No. 36, 37, 66

Special design: Article 233 5010-002
Assembly torch adjustment cpl. pipe Size. 0-4
Tooth rack 200 mm cpl. horizontal
Tooth rack 400 mm cpl. vertical

Item	Order number	Description
1	040 1401-003	Handwheel C50
2	235 6010-009	Bevel 60 mm long
3	050 4101-010	Clamping sleeve 3x18
4	235 6010-011	Brake plug
5	235 6010-012	Brake screw
6	050 3202-005	Plate spring
7	235 6012-002	Horizontal guide
8	050 1002-009	Cylinder head screw M5x20
9	050 1501-006	Wing screw M6x16
10	050 1401-001	Set screw
11	050 1901-006	Hexagon nut M4 flat
12	235 6010-019	Tooth rack - horizontal 400mm
13	235 6011-003	Vertical guide
14	050 4101-019	Clamping sleeve 4x28
15	235 6010-040	Tooth rack - vertical 200mm
16	235 6010-004	Burner holder
17	050 3501-007	Disc
18	050 0110-052	Countersink M10x25